



## **ПВЭВнг-20 1x1600 ТУ У 31.3-00214534-017-2003**

Power cables with copper conductors, flame-retardant, with XLPE and with PVC compound outer sheath

---

For the cable of this mark correspond the foreign-made analogues:

ПВВнг(В) (RU) • ПВВнг(А) (RU)

Technical cable requirements correspond to IEC 60502-2

---

Cables are used for laying:

- *in premises, tunnels, ducts, mines, dry soil and outdoor under shelter*
  - *in bunches*
- 

It is possible to manufacture cables with an integrated fiber-optic module.

Order entry example:

ПВЭВнг-20 1x1600/95 (ОМ) ТУ У 31.3-00214534-017-2003

In conjunction with the DTS system, the integrated fiber-optic module can act as a distributed cable line temperature sensor.

---

It is possible to manufacture cable with sealed conductor.

Order entry example:

ПВЭВнг-20 1x1600/95 (г) ТУ У 31.3-00214534-017-2003

---

Fire safety code in accordance with ДСТУ 4809:2007: ПБ130000000

Products of this mark meet the requirements:

- *single wire cable flame retardance*
- *bunched cable flame retardance category B*



## ПвЭВнг-20 1x1600 ТУ У 31.3-00214534-017-2003

Power cables with copper conductors, flame-retardant, with XLPE and with PVC compound outer sheath

### TECHNICAL SPECIFICATIONS

|  |                 |                             |
|--|-----------------|-----------------------------|
| Rated voltage  | kV              | 20                          |
| Maximum voltage  | kV              | 24                          |
| Number and rated area of conductors  | mm <sup>2</sup> | 1 x 1600                    |
| Insulation thickness   | mm              | 5.5                         |
| Minimum screen cross-section   | mm <sup>2</sup> | 95                          |
| Permissible short circuit current across the screen of minimum cross-section | kA              | 19.3                        |
| Maximum permissible short-circuit current in core                            | kA              | 229                         |
| Permissible continuous current rating *                                      |                 |                             |
| • by aerial laying in trefoil formation                                      | A               | 1700                        |
| • by aerial flat laying  | A               | 2361                        |
| • by burial in trefoil formation   | A               | 1130                        |
| • by burial flat   | A               | 978                         |
| Partial discharge factor for rated voltage, not more than                    | pC              | 6                           |
| Maximum permissible conductor temperature                                    |                 |                             |
| • Continuous   | °C              | +90                         |
| • in emergency operation   | °C              | +130                        |
| • at short circuit   | °C              | +250                        |
| Operating temperature range (in climate version NF)                          | °C              | -50 ... +50                 |
| Operating temperature range (in climate version T)                           | °C              | -25 ... +65                 |
| Minimum bending radius by laying   | mm              | 1296                        |
| Rated outer diameter of the cable (for reference) **                         | mm              | 81                          |
| Cable weight (approximate)   | kg/km           | 18180                       |
| Rated factory cable length and gross weight of the delivery on the drums *** | m, t            | # 30УД-130: **** 393 • 10.0 |

#### Notes:

When ordering it is necessary to agree the factory length of the product with the manufacturer

\* Long permissible current loads are calculated for the following conditions: conductor temperature 90 °C, air temperature 30 °C, soil temperature 20 °C, thermal resistivity of soil 1.5 °K·m/W, laying depth in the soil 0.8 m, while laying in flat formation the distance between cables in clear is equal to the cable diameter, while laying in trefoil formation cables are laid side by side, shields are earthed on both ends of the line

\*\* The external diameter may differ from the rated up to ± 10 %

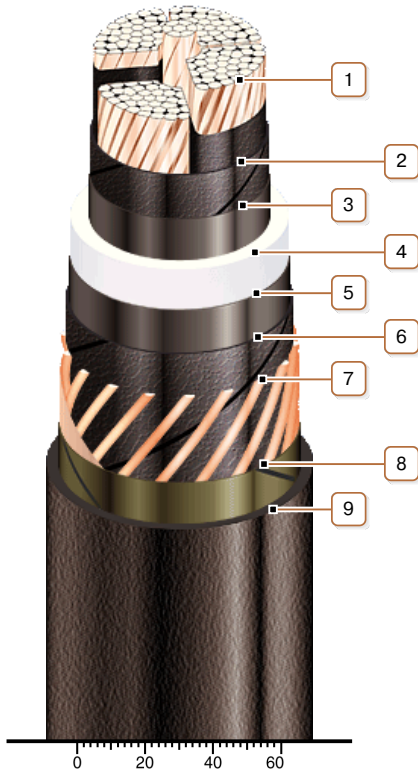
\*\*\* Отклонение фактической массы брутто от указанного значения может составлять ± 7 %

\*\*\*\* Option delivery on not full drum



**ПвЭВнг-20 1x1600**  
**ТУ У 31.3-00214534-017-2003**

Power cables with copper conductors, flame-retardant, with XLPE and with PVC compound outer sheath



**CONSTRUCTION**

**1. Copper segmentary multiwire compact conductor**

Notes:

- It is possible to manufacture cable with sealed conductor.
- Conductor segment twisting is not illustrated

**2. Lapping layer of semiconductive swellable tape**

**3. Inner extruded semiconducting layer**

**4. XLPE insulation**

**5. Outer extruded semiconducting layer**

**6. Lapping layer of semiconductive swellable tape**

**7. Copper screen**

**8. Lapping layer of glass tape**

**9. Low flammable PVC compound outer sheath**