



## АПВКВ 5x35 (ож)-1 ТУ У 31.3-00214534-016-2003

Power cables with aluminium conductors, XLPE-insulated, galvanized steel-wire armoured, with PVC-compound outer sheath

Cables are used for laying:

- *single laying*
- *in premises, dry ducts and tunnels, in corrosive environment*
- *in places, where intense tensile forces are possible (in cable lifting, in bulk, heaving, boggy, everfrost soils)*

Manufacturing of cables with a different number and different design of conductors is possible  
 Manufacturing of single-phase cables with aluminium-wire armour is possible

Fire safety code in accordance with ДСТУ 4809:2007: ПБ100000000

Products of this mark meet the requirements:

- *single wire cable flame retardance*

### TECHNICAL SPECIFICATIONS

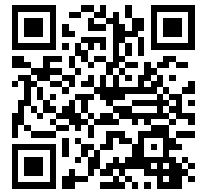
|  |                 |   |
|--|-----------------|---|
| Rated voltage  | kV              | 1   |
| Number and rated area of conductors  | mm <sup>2</sup> | 5 x 35  |
| Phase insulation thickness   | mm              | 0.9   |
| Armor wire diameter  | mm              | 1.8   |
| Permissible continuous current rating (AC of industrial frequency) *         |                 |   |
| • <i>by aerial laying</i>  | A               | 124   |
| • <i>by burial</i>   | A               | 125   |
| Maximum permissible conductor temperature                                    |                 |   |
| • <i>Continuous</i>  | °C              | +90   |
| • <i>at short circuit</i>  | °C              | +250  |
| Operating temperature range  | °C              | -50 ... +50   |
| Minimum bending radius by laying   | mm              | 272   |
| Rated outer diameter of the cable (for reference) **                         | mm              | 34  |
| Cable weight (approximate)   | kg/km           | 2070  |
| Rated factory cable length and gross weight of the delivery on the drums *** | m, t            | # 14: 540 • 1.3<br># 16a: 870 • 2.1<br># 18: 1000 • 2.5 |

Notes:

*When ordering it is necessary to agree the factory length of the product with the manufacturer*

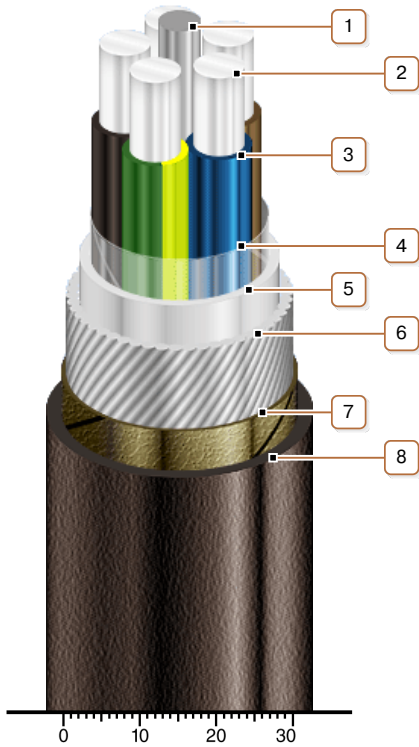
*\* Long permissible current loads are calculated for the following conditions: air temperature plus 25 °C, soil temperature plus 15 °C, thermal resistivity of soil 1.2 °K·m/W, laying depth in the soil 0.7 m*

*\*\* The external diameter may differ from the rated up to ± 10 %*



## АПВКВ 5x35 (ож)-1 ТУ У 31.3-00214534-016-2003

Power cables with aluminium conductors, XLPE-insulated, galvanized steel-wire armoured, with PVC-compound outer sheath



### CONSTRUCTION

1. PVC compound bundle
2. Aluminium conductor
3. XLPE insulation
4. PET film winding
5. PVC compound belt insulation
6. Round galvanized steel-wire armour  
*Note: Manufacturing of single-phase cables with aluminium-wire armour is possible*
7. Lapping layer of nonwoven cloth tape
8. PVC compound outer sheath

*Note: Conductor twisting is not illustrated*