



## ВБШнгд 3x70-1 ТУ У 31.3-00214534-018-2003

Power cables with copper conductors, with low-flammable PVC-compound insulation, galvanized steel-tape armoured, with PVC-compound protection hose

Cables are used for laying:

- *in bunches*
- *in premises, dry ducts and tunnels, in corrosive environment*
- *in places, where small mechanical impacts on cable are possible, including tensile forces*
- *in bunches, in crowded places*

Fire safety code in accordance with ДСТУ 4809:2007: ПБ123121000

Products of this mark meet the requirements:

- *single wire cable flame retardance*
- *bunched cable flame retardance category A*
- *toxicity class Tk3 of the combustion products of nonmetallic elements (toxicity index over 120 g/m<sup>3</sup>)*
- *class ДТк1 on smoke-forming ability by smouldering of non-metallic elements (coefficient of smoke formation from 50 to 500 m<sup>2</sup>/kg)*
- *class ДПк2 on smoke-forming ability by combustion (minimum luminous flux more than 60 %)*
- *corrosive class Kк1 of combustion products of non-metallic elements (the number of halogen hydrides less than 150 mg/g, pH less than 4.3, specific conductivity more than 10 μS/mm)*

### TECHNICAL SPECIFICATIONS

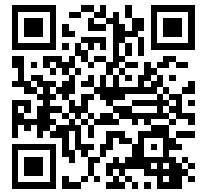
Rated voltage	kV	1
Number and rated area of conductors	mm <sup>2</sup>	3 x 70
Phase insulation thickness	mm	1.4
Permissible continuous current rating (AC of industrial frequency) *		
• <i>by aerial laying</i>	A	211
• <i>by burial</i>	A	231
Maximum permissible conductor temperature		
• <i>Continuous</i>	°C	+70
• <i>in emergency operation</i>	°C	+80
• <i>at short circuit</i>	°C	+130
Operating temperature range	°C	-50 ... +50
Minimum bending radius by laying	mm	262.5
Rated outer diameter of the cable (for reference) **	mm	35
Cable weight (approximate)	kg/km	3070
Rated factory cable length and gross weight of the delivery on the drums ***	m, t	# 16a: 780 • 2.7 # 18: 890 • 3.2

Notes:

When ordering it is necessary to agree the factory length of the product with the manufacturer

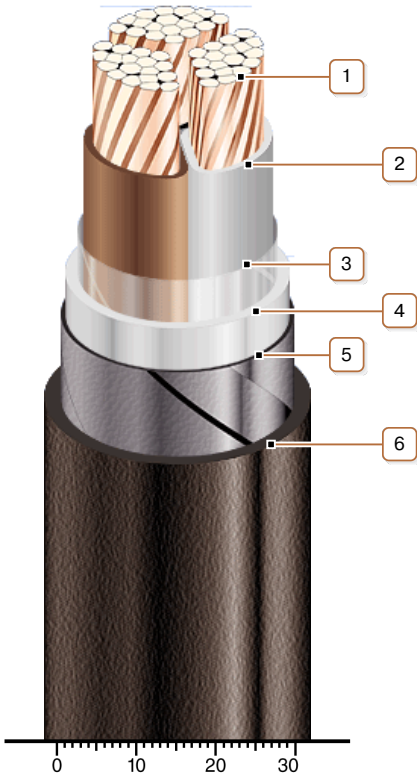
\* Long permissible current loads are calculated for the following conditions: air temperature plus 25 °C, soil temperature plus 15 °C, thermal resistivity of soil 1.2 °K·m/W, laying depth in the soil 0.7 m

\*\* The external diameter may differ from the rated up to ± 10 %



## **ВБШнгд 3x70-1** **ТУ У 31.3-00214534-018-2003**

Power cables with copper conductors, with low-flammable PVC-compound insulation, galvanized steel-tape armoured, with PVC-compound protection hose



### **CONSTRUCTION**

1. Copper multiwire compact conductor
2. Low fire-risk PVC compound insulation
3. PET film winding
4. Low fire-risk PVC-compound inner sheath
5. Double galvanized steel-tape armour
6. Pressed off low fire-risk PVC compound protection hose

*Note: Conductor twisting is not illustrated*