



СБ2л 3x50(ож)-6 ТУ У 27.3-00214534-091:2017

Power cables with copper conductors, with impregnated paper insulation, lead-sheathed, steel-tape armoured

Cables are used for laying:

- *in soil (trenches) with high corrosiveness, as well as with vagabond currents*
- *with a risk of mechanical damage and no tensile forces in operation*

TECHNICAL SPECIFICATIONS

Rated voltage	kV	6
Number and rated area of conductors	mm ²	3 x 50
Insulation thickness between conductors	mm	4
Insulation thickness of conductor-sheath	mm	2.95
Sheath thickness	mm	1.26
Permissible continuous current rating *		
• <i>by aerial laying</i>	A	200
• <i>by burial</i>	A	197
Operating temperature range	°C	-50 ... +50
Minimum bending radius by laying	mm	570
Level difference along the laying rout, not more than	m	15
Metal sheath outer diameter (for reference only)	mm	26
Rated outer diameter of the cable (for reference) **	mm	38
Cable weight (approximate)	kg/km	3820
Rated factory cable length and gross weight of the delivery on the drums ***	m, t	# 16a: 700 • 2.9

Notes:

When ordering it is necessary to agree the factory length of the product with the manufacturer

** Long permissible current loads are calculated for the following conditions: air temperature plus 25 °C, soil temperature plus 15 °C, thermal resistivity of soil 1.2 °K·m/W, laying depth in the soil 0.7 m*

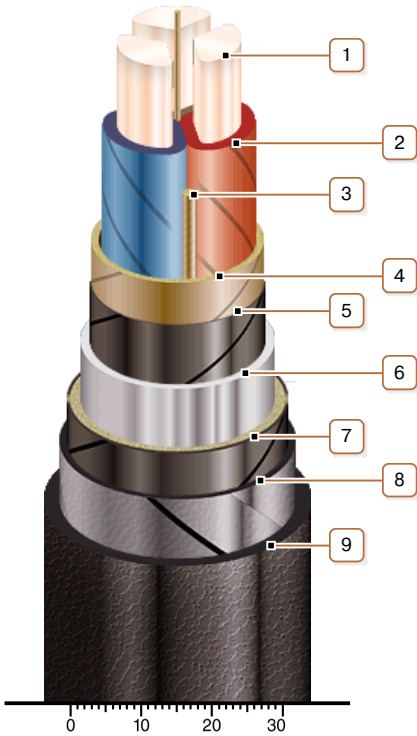
*** The external diameter may differ from the rated up to ± 10 %*



СБ2л 3х50(ож)-6 ТУ У 27.3-00214534-091:2017

Power cables with copper conductors, with impregnated paper insulation, lead-sheathed, steel-tape armoured

CONSTRUCTION



1. *Copper conductor*
2. *Impregnated paper insulation*
3. *Cable paper bundle*
4. *Belt insulation*
5. *Conducting paper screen*
6. *Lead sheath*
7. *Double-layer plastic-tape bedding*
8. *Double steel-tape armour*
9. *Outer covering*

Note: Conductor twisting is not illustrated